



1000 Base - T Magnetics Modules



RoHS Compliant

PART NUMBERING SYSTEM

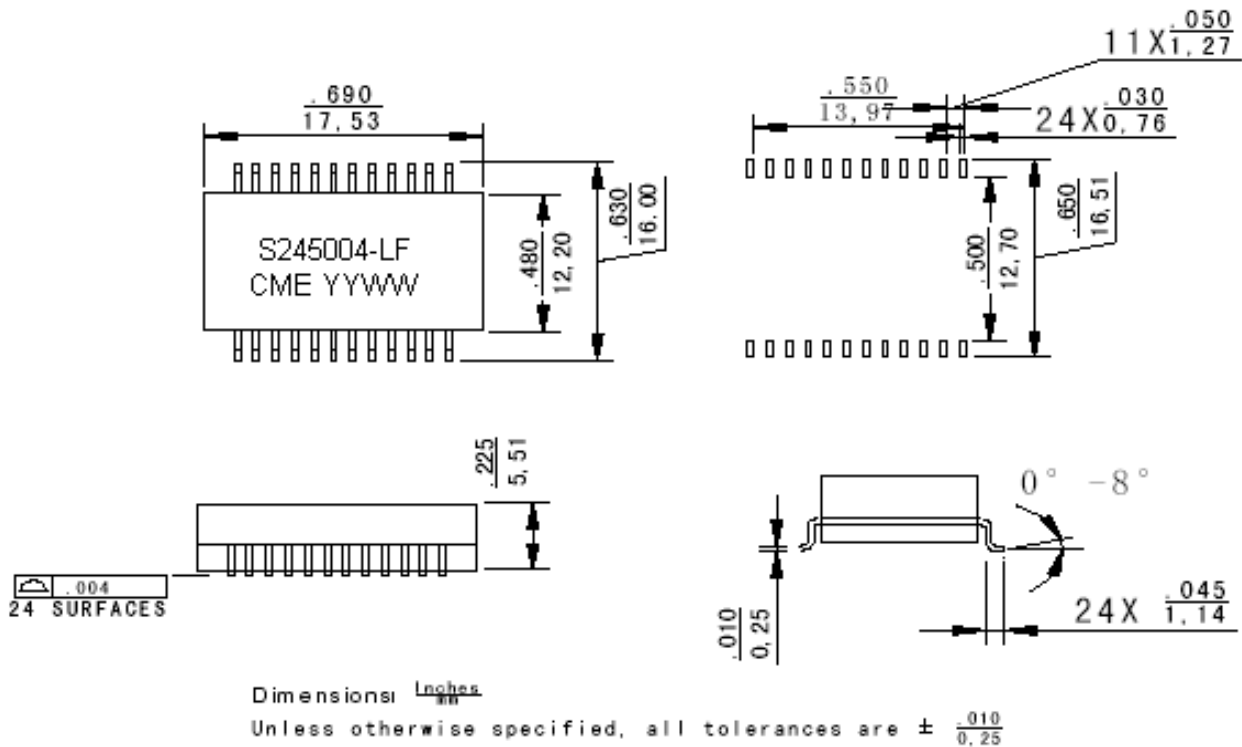


FEATURES

- Designed to support 1:1 turns ratio transceivers
- Compliant with IEEE 802.3ab standard for 1000Base-T Magnetics
- For RoHS part add suffix LF
- RoHS compliant peak solder rating 235°C

SHAPES AND DIMENSIONS

Mechanicals





1000 Base - T Magnetics Modules



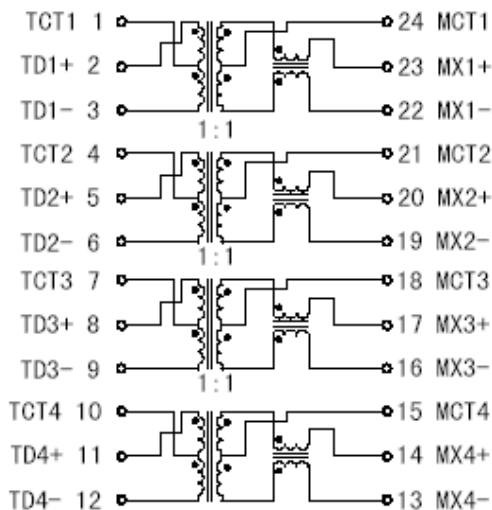
RoHS Compliant

FEATURES

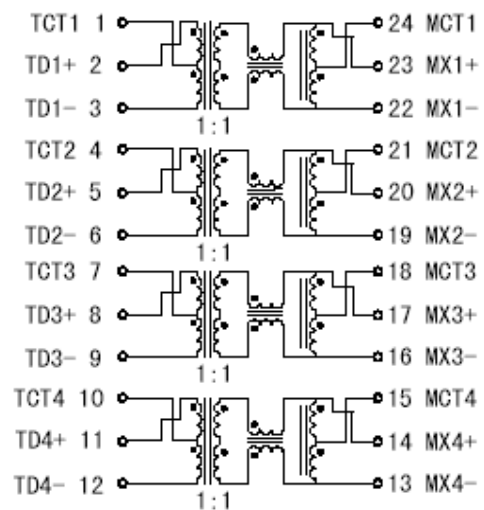
- Designed to support 1:1 turns ratio transceivers
- Compliant with IEEE 802.3ab standard for 1000Base-T Magnetics
- For RoHS part add suffix LF
- RoHS compliant peak solder rating 235°C

Schematics

S24-5004-LF



S24-5007-LF



ELECTRICAL CHARACTERISTICS @ 25°C --- Operating Temperature 0°C to 70°C

PART NUMBER	Insertion Loss (dB Max)	Return loss (dB Min @100Ω) MHz					Differential to Common Mode Rejection loss (dB Min) MHz			Crosstalk (dB Min) MHz			Hipot (Vrms Min)
		1-100MHz	1-30	40	50	60-80	100	30	60	100	30	60	
S24-5004-LF	1.0	-18	-18	-16	-12	-10	-43	-37	-33	-45	-40	-35	1500
S24-5007-LF	1.0	-18	-18	-16	-12	-10	-43	-37	-33	-45	-40	-35	1500